



MIRROR IMAGE®



## Applications

Residential	8
Hospitality	18
Corporate	24
Salon & Spa	28
Digital Signage	32

## Plug & Play

Bathroom Mirror TV™ Line	40
Bathroom Twister™ Line	42
New Living™ Line	44
Glass TV™ Line	46
Ultimate Rotation™ Line	48

## Technology

Mirror Image® Technology	52
Product Highlights	54
Magic Mirror®	56
Glass Options	58
LCD Options	60
Mounting Options	62
Additional Features	63

## About

Awards	66
Philosophy	67
Sampled Client List	68

# MIRROR IMAGE® German Mirror TV LCD Technology

MIRROR IMAGE® is the LCD engine that drives images through glass to deliver superb picture quality. Whether placed behind a crystal mirror or a MAGIC MIRROR®, MIRROR IMAGE® transforms an ordinary mirror to a mirror “powered by **ad notam**®”.

**ad notam**® is a celebrated inventor, pioneer, and leader in the LCD Mirror TV industry. The MIRROR IMAGE® product line is always a combination of the **ad notam**® LCD and glass or mirror surface. Beginning with the stylish and perfectly integrated look of glass and following with the only LCD monitors which are factory calibrated for integration behind glass, the end result is sure to mesmerize all your senses.

All **ad notam**® products are German made, custom-engineered, LCD technology. They are exclusively designed to overcome the unique challenges of operating in ventilation deprived environments and to allow easy and adjustable mounting. The unique magnet mounting system accompanying all **ad notam**® products is distinctively designed to suit all particularized placements behind any glass surfaces.

MIRROR IMAGE® technology is patent protected.





## Applications

Residential	8
Hospitality	18
Corporate	24
Salon & Spa	28
Digital Signage	32



# *Residential*

BATHROOMS | KITCHENS | LIVING & MEDIA ROOMS | BEDROOMS | FURNITURE





# Bathrooms

MIRROR IMAGE® redefines any bathroom to a bathroom powered by **ad notam**®. MIRROR IMAGE®'s wide selection of mirror and glass options as well as screen sizes gives you all the tools you need to create the right MIRROR IMAGE® for you. The end result will seamlessly integrate into your bathroom décor, all while redefining its level of sophistication.

Custom engineered for the harsh bathroom environment, MIRROR IMAGE® is protected against humidity by a special casing, and is explicitly rated for operation in the bathroom (IP X2 and IP X4 ratings). The only limit is your imagination.



SATIN LIGHT™ with 10" MIRROR IMAGE® TV-M LINE™



OEM cabinet with integrated 17" MIRROR IMAGE® TV-M LINE™



In-Wall mounted NEW LIVING™ 32"





32" MIRROR IMAGE® TV-M LINE™, Furniture Design Piatti AG

# Kitchens

The kitchen is an ideal location for MIRROR IMAGE®. Hidden behind the kitchen backsplash or integrated into the kitchen cabinets it is protected against dirt, dust, and grease, easy to clean, and saves space. MIRROR IMAGE® will transform your kitchen experience without altering your kitchen's design. The only limit is your imagination.



37" MIRROR IMAGE® TV-M LINE™ with Crystal Mirror, Furniture Design by Mobalpa



## Living & Media Rooms

Introduce a new dimension to your TV experience. Get your latest news and entertainment in a most dramatic way. The living room applications conceal **MIRROR IMAGE®**, so that it is completely invisible when turned off, and present only when you need it. Consider the potential of elegantly blending the TV into your custom-designed living room space. **MIRROR IMAGE®** can be recessed into the wall, hung as a picture, free standing, or even integrated into the furniture. The only limit is your imagination.



46" MIRROR IMAGE® TV-M LINE™ with MAGIC MIRROR®, Design by Safretti

# Bedrooms

Like having the comfort of a TV in your bedroom, but dislike the intrusive cables and TV? MIRROR IMAGE® has a solution for you - the MIRROR IMAGE® bedrooms applications conceal MIRROR IMAGE® completely, visible only when you need it. Whether recessed into the wall, hung as a picture, integrated into your bedroom furniture, or even part of a sliding door closet, MIRROR IMAGE® will transform your bedroom into the sanctuary that you deserve.









# *Hospitality*

LOBBIES & PUBLIC AREAS | CONVENTION CENTERS | BATHROOMS | SUITES DÉCOR | ROOM FURNITURE | SPAS | ELEVATORS



## Rooms & More



NEW LIVING™ 46" with MAGIC MIRROR®

MIRROR IMAGE® offers a dazzling, perfectly customized, first impression. Integrate your marketing, activities, facilities' highlights and attractions into a mesmerizing display of elegance. From lobbies to convention centers and casinos, from spas to bathrooms and elevators; we've done it all.

### SUITES DÉCOR

Want to ensure your guests' ultimate satisfaction? MIRROR IMAGE® is your solution. Dazzle your guests with a new dimension to the entertainment and media unit in your suites. MIRROR IMAGE® can easily connect to your current Video on Demand system, ensuring the highest quality when turned on, and turns completely invisible when turned off.

### ROOM FURNITURE

**ad notam**® offers complete integration of MIRROR IMAGE® into furniture design. Customize your room décor to your vision and aesthetics with elegance and style.



NEW LIVING™ 65" with MAGIC MIRROR® and custom framing



Table-Mounted BATHROOM TWISTER™ with MAGIC MIRROR®

# Bathrooms

MIRROR IMAGE® offers you a competitive elegant edge above all others – an edge that will compel your guests to come back for more. Custom engineered for the harsh bathroom environment, MIRROR IMAGE® is protected against humidity by a special casing, and is explicitly rated for operation in the bathroom (IP X2 and IP X4 ratings). MIRROR IMAGE® seamlessly integrates into your bathroom décor, ensuring your guests ultimate satisfaction.

For a stylized complete solution for your hotel bathrooms **ad notam**® offers the rotating BATHROOM TWISTER™ LINE. Whether table-mounted or wall-mounted, the BATHROOM TWISTER™ LINE is custom engineered for the harsh bathroom environment, all while perfectly rotating 180°.





# *Corporate*

CORPORATE & OFFICE INTERIOR | CORPORATE COMPLEXES | MEETING & PRESENTATION ROOMS | RECEPTION HALLS | ELEVATORS







### **CORPORATE COMPLEXES**

Make a statement at first glance. MIRROR IMAGE® offers an elegant, perfectly customized, first impression. Integrate your marketing, statements, and advertorials into a dramatic display of elegance.

### **MEETING & PRESENTATION ROOMS**

In today's competitive market, MIRROR IMAGE® offers you a competitive edge above all else – an edge both in design and technology that will keep its momentum for years to come. MIRROR IMAGE® will perfectly adapt to any Video Conferencing System, giving you the impactful impression you need at any meeting.

### **RECEPTION HALLS**

Want to make an impression that lasts? MIRROR IMAGE® is an elegant yet powerful communication tool that engages the viewer. The screen is well secured behind the mirror, and enhances your message with your corporate identity in a subtle, sophisticated, manner.



On-wall 37" MIRROR IMAGE® TV-M LINE™ with white glass



RTL Group Television Headquarters, Netherlands



# Salon & Spa

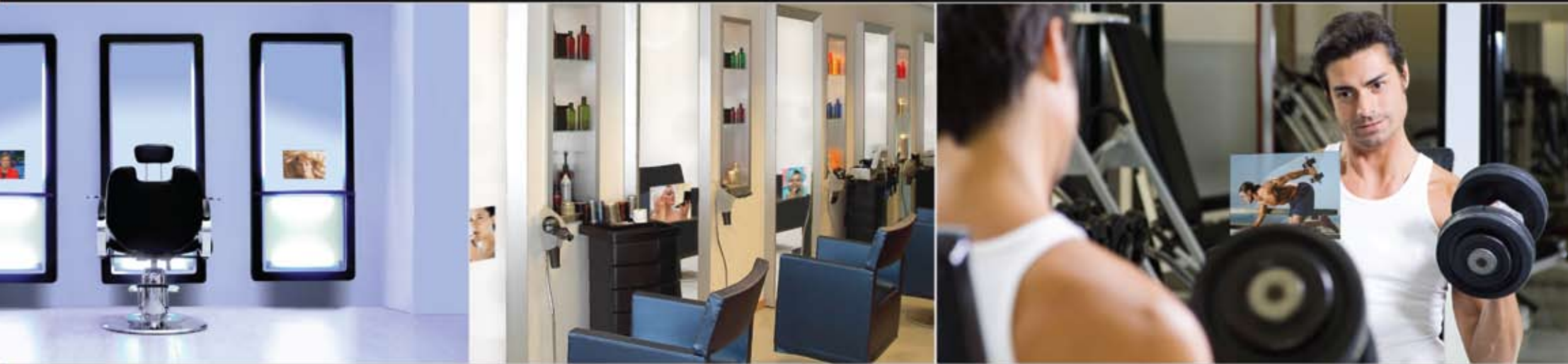
HAIRDRESSER | WELLNESS | HEALTH & FITNESS



Gyms and Health Clubs are a perfect match for MIRROR IMAGE® powered by the **ad notam®** CONTENT PRO™. Display the content you want - on demand! To learn more about the **ad notam®** CONTENT PRO™ please see page 38.



Extraordinary beauty service takes a little bit more than the ordinary - MIRROR IMAGE® for beauty environments enhances your competitive edge while treating your customers to welcomed entertainment. Whether sitting down for a cut and color, or even just getting their nails done, MIRROR IMAGE® is an ideal distraction. Your customers will have access to the latest movies, celebrity news, or the newest cooking recipe – all while looking beautiful. With the ability to seamlessly integrate into your original salon design, this innovative interior technology is that extra something that will compliment the beauty trends of tomorrow while setting any establishment apart from the competition.





# *Digital Signage*

POINT OF SALE | POINT OF INFORMATION | ADVERTISEMENTS





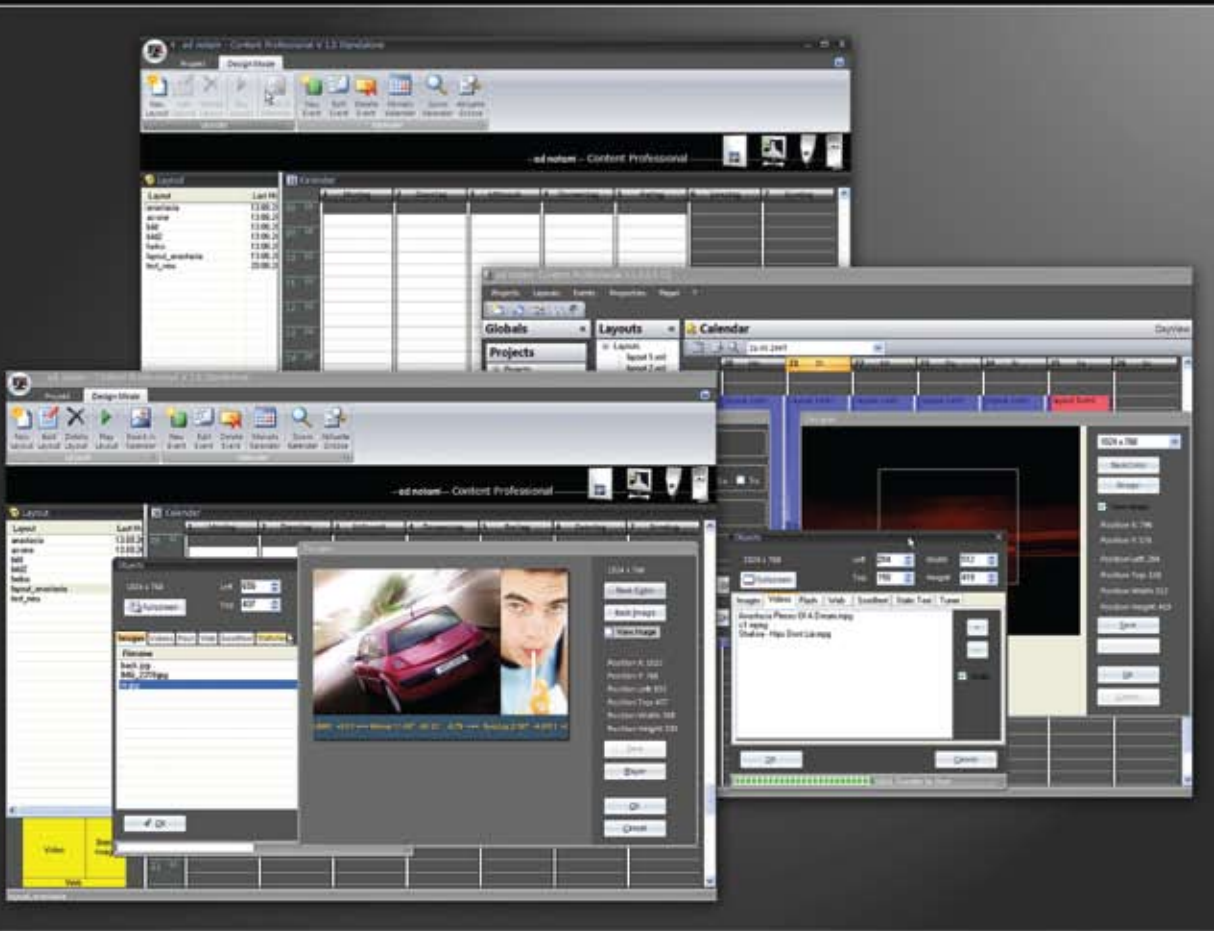




Vertically Optimized 46" MAGIC WINDOW™

Want your customer's immediate attention? MIRROR IMAGE® offers a most dramatic new way to engage your customer. Whether it is a customized MIRROR IMAGE® or one of our MIRROR IMAGE® lines, it does so with style and elegance as your message is actually part of the mirror. You have made more than a sale. You have started a relationship. After all, who can resist a mirror?





# ad notam<sup>®</sup> Content PRO<sup>™</sup>

**ad notam<sup>®</sup> CONTENT PRO<sup>™</sup>** is an advertising software which allows you to easily display the content you want - on demand! The **ad notam<sup>®</sup> CONTENT PRO<sup>™</sup>**, created primarily for our Point of Sale clientele, leaves very little to chance when you want to make your marketing to stand out - from one looping advertorial, to many split screens displaying videos, text, images, and live information.

## 1 STANDALONE SINGLE APPLICATION

Use any Point of Sale media display connected to a computer to present your marketing and important information with elegance.

## 2 ASP MULTIPLE APPLICATIONS

If you need to manage more than one Point of Sale media displays, the **ad notam<sup>®</sup> CONTENT PRO<sup>™</sup>** will simplify your daily content management tremendously. Just connect all your displays to one router, and let the **ad notam<sup>®</sup> CONTENT PRO<sup>™</sup>** do the rest. With one simple step by step configuration, you can manage all your displays at once.

MIRROR IMAGE® PC LINE™

VIA INTERNET TO MULTIPLE AND VARIED DISPLAYS



1



2



### *Plug & Play*

Bathroom Mirror TV™ Line	40
Bathroom Twister™ Line	42
New Living™ Line	44
Glass TV™ Line	46
Ultimate Rotation™ Line	48

# Bathroom Mirror TV™ Line

The BATHROOM MIRROR TV™ LINE redefines the bathroom mirror. It offers a complete solution for your bathroom mirror, with a fully integrated TV and speaker. The unique on-wall mounting system accompanying this product line allows for a total installation depth of only 4cm. The BATHROOM MIRROR TV™ LINE is custom engineered for the harsh bathroom environment. It is protected against humidity by a special casing, and is explicitly rated for operation in the bathroom (IP X2 and IP X4 ratings). Whether you are interested in a Crystal Mirror (PURE ELEGANCE™), a Crystal Mirror with background lights (SATIN LIGHT™), a MAGIC MIRROR® to completely conceal your MIRROR IMAGE® screen when turned off (PURE MAGIC™), or even MAGIC MIRROR® with contemporary background lights (MAGIC LIGHT™) - we have the right plug & play for you. The BATHROOM MIRROR TV™ LINE is available in several mirror dimensions, and with several options of screen sizes.

For further information and complete specifications visit our website at [www.ad-notam.com](http://www.ad-notam.com).





# Bathroom Twister™ Line

Whether table-mounted or wall-mounted, the BATHROOM TWISTER™ LINE offers a complete, stylish, and perfectly rotatable solution for your bathroom mirror with a fully integrated TV screen and glass speaker. The BATHROOM TWISTER™ LINE is custom engineered for the harsh bathroom environment. It is protected against humidity by a special casing, and is explicitly rated for operation in the bathroom (IP X5 ratings). The BATHROOM TWISTER™ LINE is available in Crystal Mirror, black glass, or white glass.

For further information and complete specifications visit our website at [www.ad-notam.com](http://www.ad-notam.com).



# New Living™ Line

Introduce a new dimension to your TV experience with the largest Mirror TV world-wide. **NEW LIVING™ LINE** invites you to get your latest news and entertainment in a most dramatic way. Whether placed in residential environment or commercial foyers, this elegant and versatile complete TV system is sure to create an impact. **NEW LIVING™ LINE** is a complete system with harmonic balance of beauty and technology. Mirror and LCD Active Matrix are combined to offer the best picture quality which completely disappears when turned off. Whether recessed into the wall, or hanged as a picture, the crisp and cool design of **NEW LIVING™ LINE** offers not only a modern and elegant alternative to large-size flat screen TVs, but also a sophisticated decorative addition to any environment. The high-end technology of the **NEW LIVING™ LINE** enables easy connection to all available types of media sources via HDMI or Home Automation System with RS232 interface. The **NEW LIVING™ LINE** is available with 32", 37", 46", 65", and 82" **MIRROR IMAGE®** screen and in several mirror dimensions.

For further information and complete specifications visit our website at [www.ad-notam.com](http://www.ad-notam.com).



# Glass TV™ Line

Experience the perfect fusion of high-end TV technology & functional customized furniture design. Based on a new LCD Active Matrix, **ad notam**® presents the **GLASS TV™ LINE** - the mesmerizing wall unit. Featuring stylish glass and picture area, slick furniture design, and high-end technology, the **GLASS TV™ LINE** will elevate your living space onto a new level. **ad notam**®'s high-quality LCD Design Screen offers the best picture quality with very high resolution, and guarantees a high lifespan at low power consumption. The **GLASS TV™ LINE** is the most versatile plug-and-play TV in the market today - it is available as a free hanging solution, with a stylish black or white base unit, or even with matching shelving for a complete elegant wall solution. Standing true to its customizing philosophy, **ad notam**® offers even more tailoring options to this already tailored product line. The **GLASS TV™ LINE** is offered in 37" or 46" screen size, and with black or white glass panels.

For further information and complete specifications visit our website at [www.ad-notam.com](http://www.ad-notam.com).



# Ultimate Rotation™ Line

Feel comfortable wherever you are - just direct this versatile complete TV system your way - and prepare to be amazed. Front and back, the **ULTIMATE ROTATION™** LINE is an elegant complete TV system with harmonious balance of beauty and technology. The ultimate 270 degrees rotation, the slick glass surfaces of the front and back panels, and the **ad notam®** LCD Active Matrix, are all combined to offer you the best picture quality from any angle in your space in the most stylish way possible. Whether you choose black or white glass, the **ULTIMATE ROTATION™** LINE is sure to turn heads, as well as itself. The **ULTIMATE ROTATION™** LINE also offers a perfect fusion of high-end TV technology and functional furniture design. Whether it is DVD, Cable, or Satellite, this perfect entertainment unit will easily connect to the source and display it picture perfect - all with no visible cables or devices, and even your accessories can be stored in the chic base unit. The stylish wood and chrome base unit, which mesmerizingly balances the TV panel, is offered in a variety of finishes and sizes - tailored to your needs.

For further information and complete specifications visit our website at [www.ad-notam.com](http://www.ad-notam.com).







## Technology

Mirror Image® Technology	52
Product Highlights	54
Magic Mirror®	56
Glass Options	58
LCD Options	60
Mounting Options	62
Additional Features	63

# Mirror Image® Technology



PRODUCT OF  
**GERMANY**

LOW **VOLTAGE**  
SAFETY PRODUCT

 **MAGNETIC**  
MOUNTING SYSTEM

 PROTECTION  
CLASS **IP4**

**GAP LESS**  
LCD-ON-GLASS MOUNTING SYSTEM

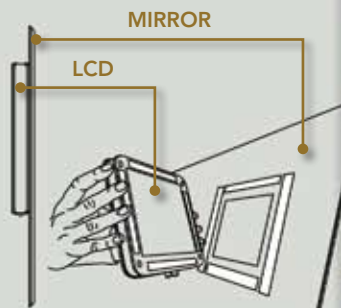
 **HOME AUTOMATION ENABLED**  
RS232 CONTROL WITH 286 CONTROL FUNCTIONS

**ad notam**® is a German Mirror TV company specializing in engineering and manufacturing LCD and glass technology. As the inventor of the Mirror TV with over eight years experience in this competitive industry, **ad notam**® remains the leading authority in Mirror TV technology. To allow the continued development of its product lines and technology, **ad notam**® develops, operates, and manufactures all its products in its own facilities in the south of Germany.

By definition, a Mirror TV is an integration of both LCD technology and glass technology. **ad notam**® acknowledges the equal importance of both elements, and continues to develop new and exciting breakthroughs on both fronts. It is **ad notam**®'s philosophy that any product is only as good as its elements. By knowing everything there is to know about both LCD and glass technology, **ad notam**® is able to provide its demanding clientele with the most cutting-edge Mirror TV technology they deserve.

**ad notam**®'s research and development team has flawlessly adapted and calibrated the **MIRROR IMAGE**® LCD for installation behind glass. From radio frequency remote control system which allows the signal to penetrate through the glass, to the **MIRROR IMAGE**® gapless monitor architecture system; from the low-voltage power system which allows even the world largest Mirror TV with 82" LCD to operate in damp environments, to the slick "disappearance act" of the **MAGIC MIRROR**®; these are just some of the advantages **ad notam**® offers its clientele thanks to its comprehensive knowledge of Mirror TVs and the various elements that construct them.

Thanks to its facilities, as well as its in-house engineering team, **ad notam**® is able to quickly adapt your needs and industry trends to its products. Focusing its philosophy on the customization and integration of its products, **ad notam**® is acknowledged as the best provider of solutions in interior design and functionality by the leading OEM and furniture manufacturers. For these reasons, the Fraunhofer Institute partnered with **ad notam**® in creating the "Hotel of the Future" project; analyzing the trends of future living standards.



## MAGNETIC MOUNTING SYSTEM

Provides placement versatility and easy installation and servicing at one price.

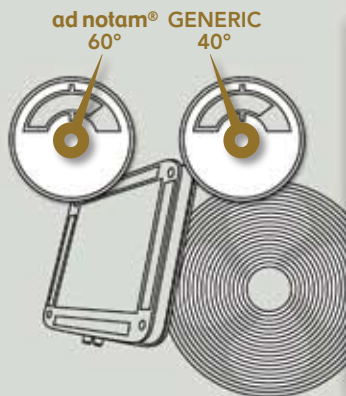
## ULTRA SLIM PROFILE

The 15" MIRROR IMAGE® LCD monitor is less than 0.4" thick.



## FLUSH FITTED MONITOR

D.O.G Mounting System enables gapless installation between the glass and the monitor, resulting in a crystal clear picture.



## VENTILATION

The **ad notam**® LCD requires no ventilation. This allows low power consumption and silent operation.

## THERMAL BOARD

Thanks to German Engineered Temperature Regulator PVC, the **ad notam**® LCD's supersedes the 40° maximal operational temperature of generic LCDs.

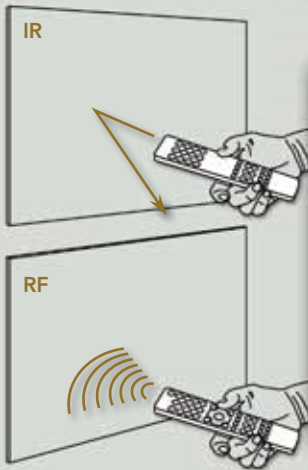


### HARSH ENVIRONMENTS

MIRROR IMAGE® monitors are low voltage products (DC 12V or 24V) and rated IP X4, safe for operation in bathroom environment.

### EXTERNAL POWER SUPPLY

Facilitates service & regulates heat sync.



### RF REMOTE CONTROL

**ad notam**® Radio Frequency Receiver and Remote Control penetrate mirror and glass surfaces, unlike generic IR transmitter.



### INVENTOR & MANUFACTURER QUALITY

As the inventor, manufacturer, and retailer of the **ad notam**® LCD monitors, all our products are built and sold with industrial grade standard, unlike the generic LCD bundled consumer grade standard.

### COMPLETE INVENTOR, MANUFACTURER, AND RETAILER WARRANTY

The **ad notam**® LCD monitors are factory calibrated for installation with glass and mirror surfaces. Our Manufacturer Warranty reflects on the LCD installation versatility, unlike all generic stand-alone monitors.

# The Magic Mirror® Effect







2

**ad notam®** is the only Mirror TV manufacturer which owns its LCD and Glass manufacturing facilities. One of the most featured products manufactured in our facilities, located in the south of Germany, is the patent-protected **MAGIC MIRROR®** technology. With **MAGIC MIRROR®** as part of your **MIRROR IMAGE®** product, **ad notam®** delivers the highest standard of picture quality when turned on, while when turned off, the screen area completely disappears behind the **MAGIC MIRROR®**, leaving your mirror TV as an elegant fixture in your environment.

**ad notam®** offers **MAGIC MIRROR®** at a maximal dimension of 2000mm by 3150mm, though owning our facilities enables us great flexibilities to work with you and achieve the perfect look and size you desire. The **MIRROR IMAGE®** LCD can be placed anywhere within the **MAGIC MIRROR®** surface; from the traditional center, to multiple and randomly placed screens. **MAGIC MIRROR®** technology is a perfectly sublime addition to your environment, one that can easily accommodate any LCD size you desire; from our smallest **MIRROR IMAGE®** LCD to the world's largest 82" **MIRROR IMAGE®** LCD.

- 1 MIRROR IMAGE® with MAGIC MIRROR® when turned on
- 2 MIRROR IMAGE® with MAGIC MIRROR® when turned off

# Glass Options

Whether in a private, public, or business space, glass is a dominant element of interior design. With the most unique and diverse selection of glass and mirrors worldwide, **ad notam**® is sure to have the right glass solution for you. As the only LCD specifically tailored to be combined with glass, **ad notam**® offers a most thorough familiarization with cutting-edge glass and mirror products. With countless possibilities for MIRROR IMAGE® integration into different applications, **ad notam**® offers mirror and glass products that are sure to accommodate any and all possibilities: the ideal multimedia piece, a unique architectural element, or the ultimate communication platform. While customizing your MIRROR IMAGE®, you have the opportunity to choose from great many glass and mirror products, consider color, size, shape, facet, sandblasting, lamination, and most importantly - the MIRROR IMAGE® LCD.

For precise tailoring and personalization of your MIRROR IMAGE® glass options, as well as many other customization options, visit our online MIRROR CONFIGURATOR™ at [www.ad-notam.com/Configurator](http://www.ad-notam.com/Configurator).



PRODUCT NAME	DESCRIPTION	DEPTH	SAFETY OPTION	MAX. DIM.
<b>1</b> MAGIC MIRROR®	Allows for maximum transparency and superior image quality when MIRROR IMAGE® is turned on, and completely conceals it when turned off.	5mm   0.0020"	Splinter Shield Back Foil	3150mm x 2000mm 10.33' x 6.56'
<b>2</b> CRYSTAL MIRROR	The removal of the silvering and the precise placement of the MIRROR IMAGE® LCD deliver superior picture quality.	4mm   0.0016" 6mm   0.0024"	Laminated Safety Glass 7mm   0.0028" 8mm   0.0032"	3150mm x 2000mm 10.33' x 6.56'
<b>3</b> COLORED & LACQUERED GLASS Single Color Glass	For a unique and stylish look, choose your colored glass surface. The back panel is printed or lacquered to your monochrome RAL color specification.	4mm   0.0016" 6mm   0.0024"	Toughered Safety Glass	3150mm x 2000mm 10.33' x 6.56'
<b>4</b> PRINTED GLASS Multi Color Glass	For the uncompromising look, choose your design to be printed on glass. The back panel is to your 4C design specification.	6mm   0.0024"	Toughered Safety Glass	3150mm x 2000mm 10.33' x 6.56'
<b>5</b> CRYSTAL MOODWALL	With the integration of LED Lights into mirror, the entire RGB color spectrum is at your disposal - simply let your mood decide.	Varies	Varies	3150mm x 2000mm 10.33' x 6.56'
<b>6</b> DESIGN GLASS MAGIC MIRROR®	This unique and impressive technique's elegant and carved look will support any choice of graphics in the most striking manner, backdropped by your monochrome RAL color specification.	5mm   0.0020"	Splinter Shield Back Foil	3150mm x 2000mm 10.33' x 6.56'
DESIGN GLASS CRYSTAL MIRROR		6mm   0.0024"	Laminated Safety Glass 7mm   0.0028" 8mm   0.0032"	3150mm x 2000mm 10.33' x 6.56'

All MIRROR IMAGE® products share custom-engineered German technology to overcome the unique challenges of driving images through mirror and glass surfaces. MIRROR IMAGE® is factory calibrated using a proprietary algorithm to deliver images through glass. The unique magnet mounting system (DOG system architecture) accompanying all MIRROR IMAGE® products is designed to suit all particularized placements behind any glass surfaces. There is no gap between MIRROR IMAGE® and the mirror surface resulting in a crystal clear picture, and delivering a futuristic look as if the images are natives to the glass. Please view the chart below to find the MIRROR IMAGE® LCD line that is right for you.

LCD LINE	AVAILABLE DIMENSIONS	INPUTS	NOTES
<b>1 DTV LINE™</b>	7" • 13" • 15" • 17" • 22" Diagonal • (32" • 37" • 46" • 65" • 82" Diagonal)	TV (Analog / Digital DVB-T) • HDMI • RGB (VGA, S-VGA, X-VGA, SX-VGA) • SCART (Optional) • Y/P/B/R (Optional) • Y/C • FBAS • Audio-Line-In (L/R) • Audio-Out • Digital-Audio-Out • Speaker-Out • RJ45 • USB	Picture Format 16:10 IR/RF Input
<b>2 TV-M LINE™</b>	10" • 15" • 17" • 20" • 32" • 37" • 46" • 65" Diagonal	TV • Y/C • FBAS • VGA • DVI • VGA-YUV • VGA-RGB-S • RJ45 • Audio-Line-In 1/2 (L/R) • Audio-Out • Speaker-Out	PAL/SECAM or NTSC System Full HD Available IR/RF Input Full RS232 (Optional) LED Control (Optional) Power Control (Optional)
<b>3 CO LINE™</b>	10" • 15" • 17" • 20" • 32" • 37" • 46" • 65" • 82" Diagonal	DVI • Y/C • RGB-S • RGB (VGA, SVGA, XVGA, SXVGA, UXGA) • FBAS • RJ45 • HDMI (HDCP 1.3) • Audio-Line-In 1/2 (L/R) • Audio-Out • Speaker-Out	Full HD Available IR/RF Input Full RS232 (Optional) LED Control (Optional) Power Control (Optional) HDMI Switch (Optional) Vertically Optimized Available for 46", 65", and 82" Panels
<b>4 HD LINE™</b>	10" • 15" • 17" • 20" • 32" • 37" • 46" Diagonal	Y/C • FBAS • VGA • DVI • YRbPr • Comp. • YUV • VGA-YUV • VGA-RGB-S • RJ45	IR/RF Input Full RS232 (Optional) LED Control (Optional) Power Control (Optional)
<b>5 FP LINE™</b>	6.4" • 17" Diagonal	6.4" - FBAS (RCA Pin) 17" - Y/C • FBAS • VGA • DVI • VGA-YUV • VGA-RGB-S	IR/RF Input Full RS232 (Optional) LED Control (Optional) Power Control (Optional)

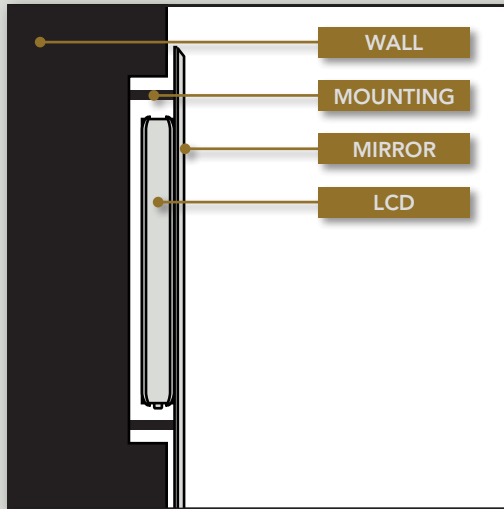


## AVAILABLE SCREEN SIZES (DIAGONAL) CHART

	6.4"	7.0"	10.4"	13.3"	15.0"	15.4"	17.0"	17.3"	20.1"	22.0"	32.0"	37.0"	46.0"	65.0"	82.0"
Picture Format	4:3	16:10	4:3	16:10	4:3	16:10	5:4	16:10	4:3	16:10	16:9	16:9	16:9	16:9	16:9
Image Area W x H	129mm x 96mm	152mm x 91mm	210mm x 155mm	286mm x 179mm	300mm x 225mm	331mm x 207mm	335mm x 268mm	382mm x 214mm	406mm x 304mm	474mm x 296mm	694mm x 389mm	814mm x 457mm	1012mm x 565mm	1420mm x 795mm	1785mm x 1004mm
	5.08" x 3.78"	5.98" x 3.58"	8.27" x 6.10"	11.26" x 7.05"	11.81" x 8.86"	13.03" x 8.15"	13.19" x 10.55"	15.04" x 8.43"	15.98" x 11.97"	18.66" x 11.65"	27.32" x 15.31"	32.05" x 17.99"	39.84" x 22.24"	55.91" x 31.30"	70.28" x 39.53"

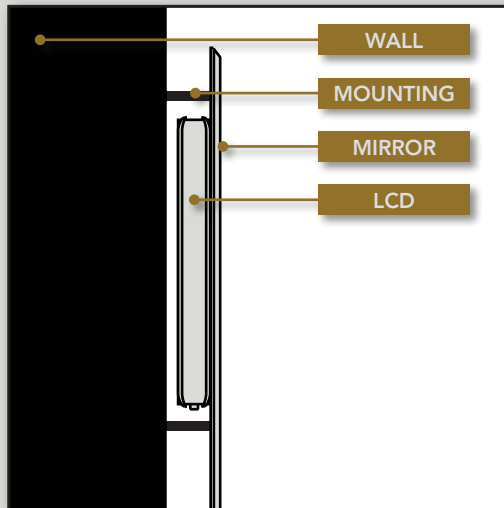


For perfectly seamless integration to your environment, **ad notam**® offers many options for easy, safe, and intelligent mounting. All **ad notam**®'s mounting options were engineered exclusively for the **MIRROR IMAGE**® products and the integration of mirror and glass. The **ad notam**® Mirror & Glass Mounting Systems differentiate between two categories: In-Wall Mounting Systems and On-Wall Mounting Systems.



### IN-WALL MOUNTING SYSTEMS

As its name suggests, **ad notam**®'s In-Wall Mounting Systems integrate your complete product (**MIRROR IMAGE**® LCD combined with a mirror or glass panel) into a cavity in the wall. The cavity is created particularly to fit and embed only the **MIRROR IMAGE**® LCD and the mounting system, while the mirror or glass panel overlies on the wall. The end result of this seamless integration is sure to spellbind all your senses.



### ON-WALL MOUNTING SYSTEMS

Again, as its name suggests, **ad notam**®'s On-Wall Mounting Systems integrate your complete product (**MIRROR IMAGE**® LCD combined with a mirror or glass panel) onto the wall surface. The **MIRROR IMAGE**® LCD depth is the only thing which protrudes from the wall, and your complete product is hung via one of the On-Wall Mounting Systems.



## GLASS SPEAKERS

The Glass Speaker is the most efficient and vibrant sound system for environments 15 square meters and smaller. The speaker system is tailored for Behind-Glass installation.

## CEILING SPEAKERS

For environments such as yachts and spas, **ad notam**® offers a humidity-safe, corrosion-resistant, saltwater-resistant, and waterproofed ceiling speaker.

## EXTERNAL AUDIO CONNECTION

All MIRROR IMAGE® products are calibrated to output perfect sound to your preexisting sound system.



## LIGHT OPTIONS

For the perfect mood lighting at the perfect timing, **ad notam**® offers the LED moodlights addition to the MIRROR IMAGE® product lines. The LED moodlights can be easily connected to your Home Automation system and controlled via **ad notam**®'s OSD MOODLIGHT ADJUSTER.



## HOME AUTOMATION

All **TV-M LINE™**, **CO LINE™** and **HD LINE™** products are Home Automation enabled via RS232 control interface with 286 control functions. Features include:

- MOODLIGHT ADJUSTER - RGB Control for complete functionality of your LED lights.
- QUADRUPLE POWER SWITCHES - Power Control with x4 channels for functionality of lights, blinds, etc.
- QUADRUPLE HDMI SWITCHES - HDMI Control with x4 channels and Learn Function for the Set Top-Box remote.





*About*

Awards 66

Philosophy 67

Sampled Client List 68

# Awards

2007 BP SOLAR DECATHLON FOR INTELLIGENT HOMES PARTICIPATING WINNER *United States Department of Energy*

2006 PRODUCT OF THE YEAR *Home Beautiful*

EDITOR'S PICKS OF 2004'S MOST IMPRESSIVE BUILDING PRODUCTS *Architectural Record*

ONE OF THE 50 COOLEST PRODUCTS OF THE YEAR 2004 *TV Guide*

ONE OF THE BEST TEN PRODUCTS OF 2004 *Times Online Magazine*

EDITOR'S CHOICE AWARDS IN NEW PRODUCT DESIGN AND INNOVATION 2004 *Consumer Electronic Show, Las Vegas*

BIT MAGAZINE'S "BEST MULTIMEDIA PRODUCT" AWARD 2003 *Comtec Show, Lisbon, Portugal*

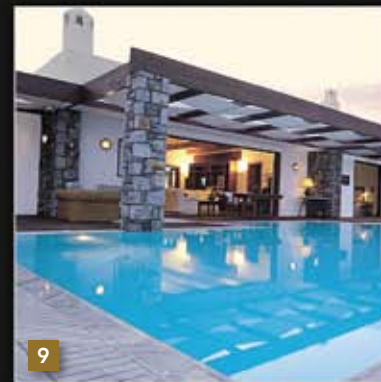
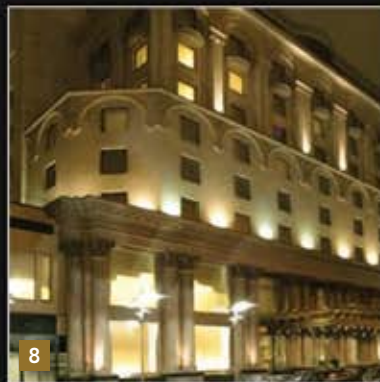


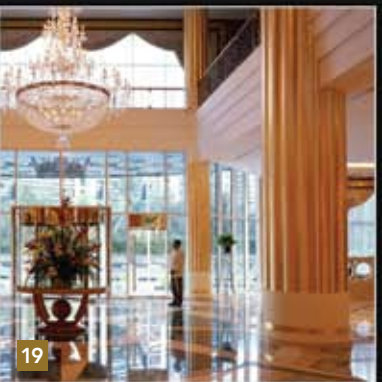
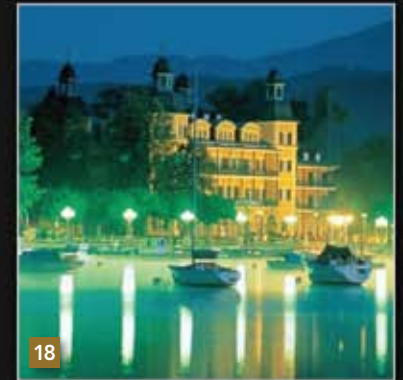
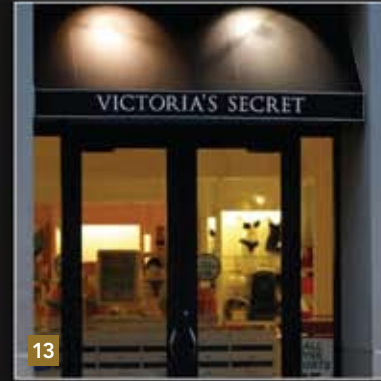
The age of multimedia is here. Wherever we turn, monitors and display screens are around us, vibrant and engaging. Communications are now competing not only with message, but also with platform. **ad notam**<sup>®</sup>, a celebrated inventor, pioneer, and leader in the LCD Mirror TV industry, has taken up this challenge to develop new sophisticated communication channels, a challenge which gave birth to **MIRROR IMAGE**<sup>®</sup>. **MIRROR IMAGE**<sup>®</sup> combines conventional mirror surfaces with a sophisticated monitor system, resulting in a fascinating and mesmerizing display for countless applications. A new LCD Active Matrix is elegantly mounted behind a mirror surface to dramatically display anything from TV and Satellite channels to PC presentations and video games. Whether entertaining, informative, or advertorial, **MIRROR IMAGE**<sup>®</sup> presents your communications on an engaging and cutting-edge platform. Use it to promote customer dialogue, to entertain your guests, or simply to sit back and enjoy the luxurious atmosphere **MIRROR IMAGE**<sup>®</sup> creates.

All **ad notam**<sup>®</sup> products are German made, custom-engineered, LCD technology. They are exclusively designed to overcome the unique challenges of operating in ventilation deprived environments and to allow easy and adjustable mounting. The unique magnet mounting system accompanying all **ad notam**<sup>®</sup> products is distinctively designed to suit all particularized placements behind any glass surfaces. **MIRROR IMAGE**<sup>®</sup> technology is patent protected.

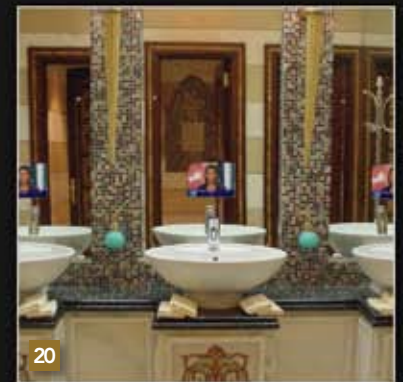


- 1 Hotel Cascais Miragem, Portugal
- 2 W Hotel, US
- 3 Burberry, US
- 4 Ritz Carlton, Ireland
- 5 Burj Al Arab, Dubai
- 6 Wynn, US
- 7 The Dolder Grand, Switzerland
- 8 Ararat Park Hyatt, Russia
- 9 Elounda Beach Hotel, Greece
- 10 The James Hotel, US





- 11 RTL Group Television Headquarters, Netherlands
- 12 Noriega, Spain
- 13 Victoria's Secret, US
- 14 Chaumet, France
- 15 Sephora Cosmetics, US
- 16 Mandarin Oriental, Germany
- 17 Microsoft, Switzerland
- 18 Schloss Velden, Austria
- 19 Millennium Hotel Abu Dhabi, UAE
- 20 Jeddah Hilton, Saudi Arabia



Customize your MIRROR IMAGE® with the **ad notam**® online MIRROR CONFIGURATOR™ - choose glass, LCD, accessories, and more - and see your product come to life on real time.

More at [www.ad-notam.com/Configurator](http://www.ad-notam.com/Configurator).



All models, dimensions, specifications, and information are subject to availability and may be modified by **ad notam**® GmbH without notice.  
No party but **ad notam**® GmbH may make use of this catalogue or its content, or make changes to this catalogue or its content, without explicit authorization to do so from **ad notam**® GmbH.

© 2008 - 2009, **ad notam**® GmbH rights reserved

*ad notam*